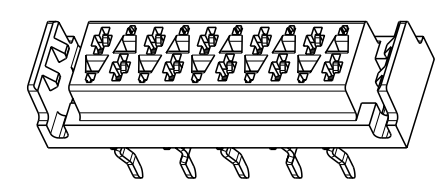
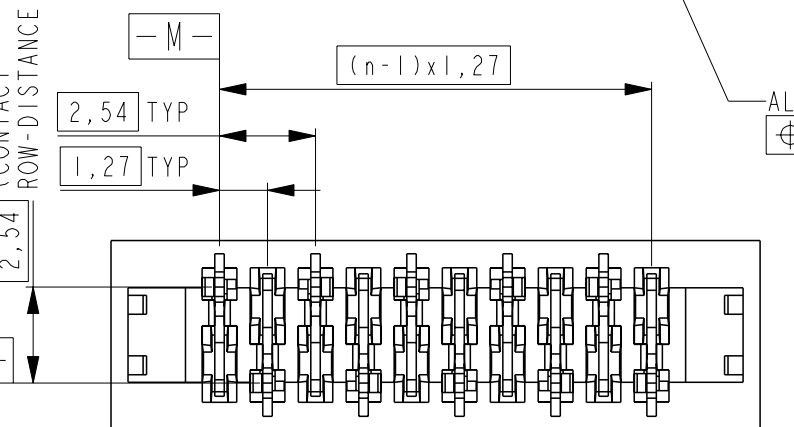
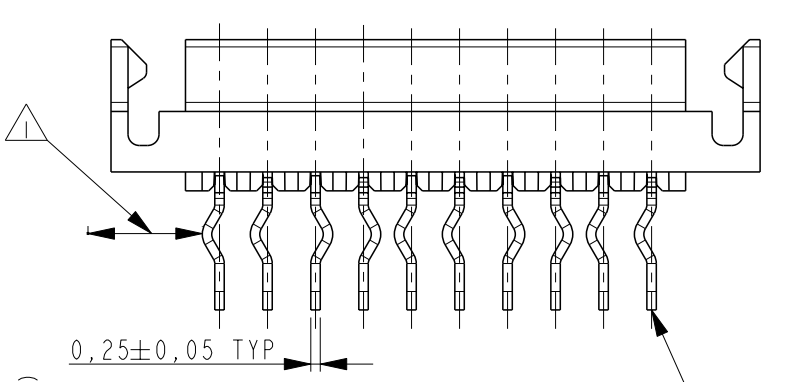
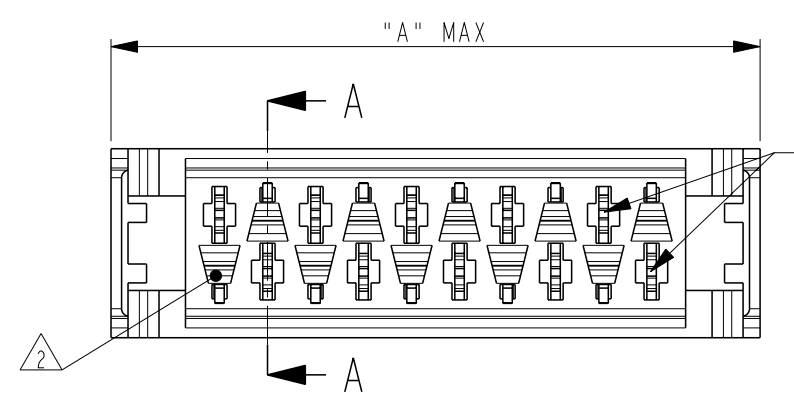


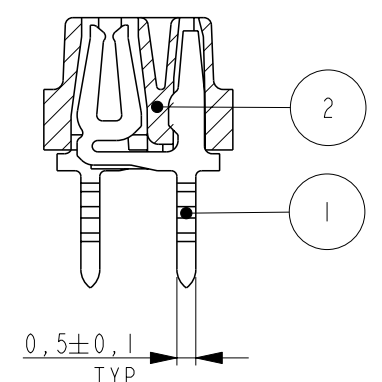
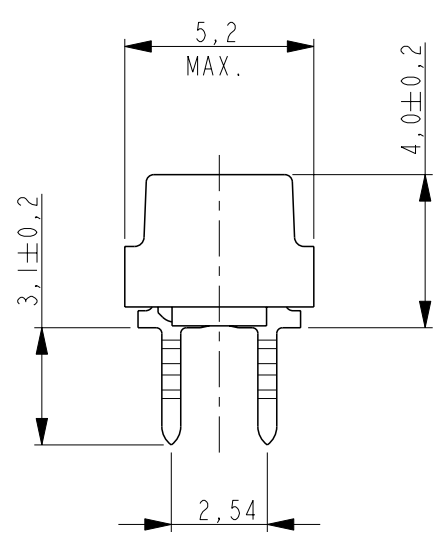
THIS DRAWING IS UNPUBLISHED. RELEASED FOR PUBLICATION  
 © COPYRIGHT - BY - ALL RIGHTS RESERVED.

REVISIONS

P	LTR	DESCRIPTION	DATE	DWN	APVD
	F	Adhesive tape width changed from 6 mm to 9 mm	12NOV2014	NV	PS

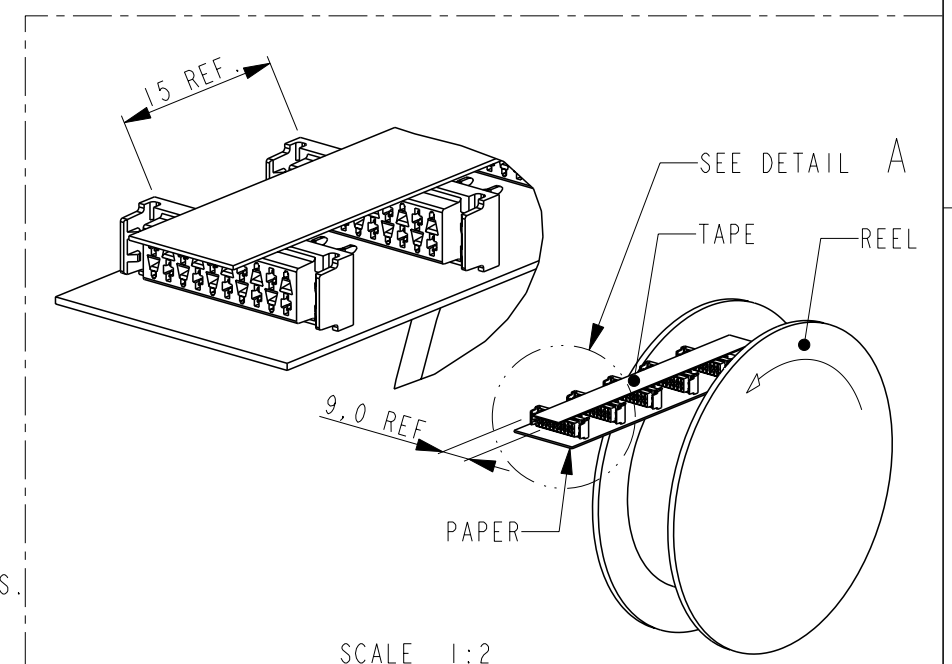


SCALE 3:1



SECTION A-A

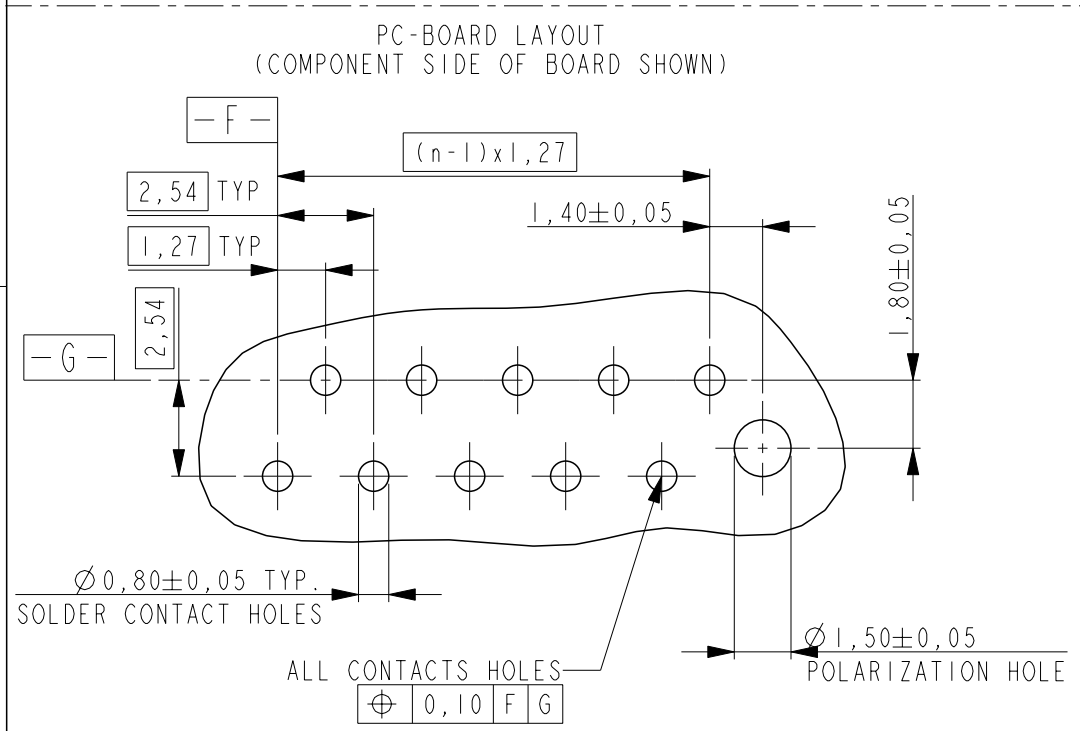
PART NUMBER REEL PACKAGING	NR OF POS "n"	DIMENSION "A" MAX
338068-4	4	9,7
338068-6	6	12,2
338068-8	8	14,7
1-338068-0	10	17,3
1-338068-2	12	19,8
1-338068-4	14	22,4
1-338068-6	16	24,9
1-338068-8	18	27,4
2-338068-0	20	30,0



SCALE 1:2  
 REEL PACKAGING  
 DEREELING DIRECTION AND CONNECTOR POSITION  
 2500 CONNECTORS PER REEL FOR ALL PART NUMBERS

NOTES:

- 1 IN EACH ROW, DIRECTION OF KINKS STARTS RANDOM. IN EACH ROW, SEQUENTIAL CONTACTS HAVE OPPOSITE KINK DIRECTIONS.
- 2 CORING-OUTS FOR MANUFACTURING PURPOSE ONLY. SHAPE MAY VARY, BUT IS NOT FUNCTIONAL FOR THE APPLICATION.
- 3 SHOWN IS A 10 POSITION CONNECTOR.



THIS DRAWING IS A CONTROLLED DOCUMENT.

DIMENSIONS:	TOLERANCES UNLESS OTHERWISE SPECIFIED:
mm	0 PLC ±
	1 PLC ±
	2 PLC ±
	3 PLC ±
	4 PLC ±
	ANGLES ±
MATERIAL	FINISH
SEE TABLE	SEE TABLE

DWN	M. GOSSELINK
CHK	-
APVD	-
PRODUCT SPEC	108-19052
APPLICATION SPEC	-
WEIGHT	-

**TE** TE Connectivity

NAME  
 CONNECTOR, FEMALE-ON-BOARD TOP-ENTRY, THRU-HOLE, WITH LATCHES, Micro-Match

SIZE	CAGE CODE	DRAWING NO	RESTRICTED TO
A3	00779	C-338068	-

Customer Drawing SCALE 5:1 SHEET 1 OF 1 REV F